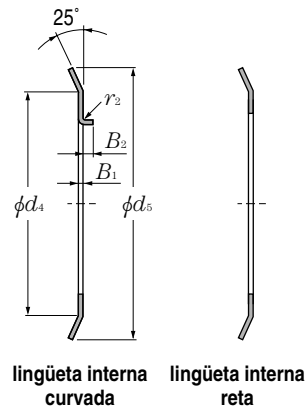
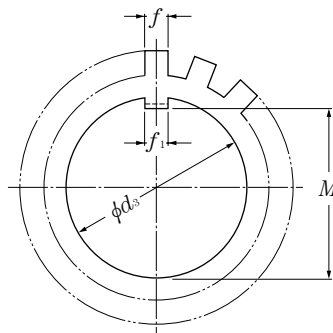


## Série AW



Código da arruela		Dimensões									Número de Massa	
lingüeta interna curvada	lingüeta interna reta	mm									lingüeta	kg
		$d_3$	$M$	$f_1$	$B_1$	$f$	$d_4$	$d_5$	$r_2$	$B_2$	100 peças (aprox.)	
AW00	AW00X	10	8.5	3	1	3	13.5	21	0.5	2	9	0.131
AW01	AW01X	12	10.5	3	1	3	17	25	0.5	2	11	0.192
AW02	AW02X	15	13.5	4	1	4	21	28	1	2.5	13	0.253
AW03	AW03X	17	15.5	4	1	4	24	32	1	2.5	13	0.313
AW04	AW04X	20	18.5	4	1	4	26	36	1	2.5	13	0.35
AW05	AW05X	25	23	5	1.2	5	32	42	1	2.5	13	0.64
AW06	AW06X	30	27.5	5	1.2	5	38	49	1	2.5	13	0.78
AW07	AW07X	35	32.5	6	1.2	5	44	57	1	2.5	15	1.04
AW08	AW08X	40	37.5	6	1.2	6	50	62	1	2.5	15	1.23
AW09	AW09X	45	42.5	6	1.2	6	56	69	1	2.5	17	1.52
AW10	AW10X	50	47.5	6	1.2	6	61	74	1	2.5	17	1.6
AW11	AW11X	55	52.5	8	1.2	7	67	81	1	4	17	1.96
AW12	AW12X	60	57.5	8	1.5	7	73	86	1.2	4	17	2.53
AW13	AW13X	65	62.5	8	1.5	7	79	92	1.2	4	19	2.9
AW14	AW14X	70	66.5	8	1.5	8	85	98	1.2	4	19	3.34
AW15	AW15X	75	71.5	8	1.5	8	90	104	1.2	4	19	3.56
AW16	AW16X	80	76.5	10	1.8	8	95	112	1.2	4	19	4.64
AW17	AW17X	85	81.5	10	1.8	8	102	119	1.2	4	19	5.24
AW18	AW18X	90	86.5	10	1.8	10	108	126	1.2	4	19	6.23
AW19	AW19X	95	91.5	10	1.8	10	113	133	1.2	4	19	6.7
AW20	AW20X	100	96.5	12	1.8	10	120	142	1.2	6	19	7.65
AW21	AW21X	105	100.5	12	1.8	12	126	145	1.2	6	19	8.26
AW22	AW22X	110	105.5	12	1.8	12	133	154	1.2	6	19	9.4
AW23	AW23X	115	110.5	12	2	12	137	159	1.5	6	19	10.8
AW24	AW24X	120	115	14	2	12	138	164	1.5	6	19	10.5
AW25	AW25X	125	120	14	2	12	148	170	1.5	6	19	11.8
AW26	AW26X	130	125	14	2	12	149	175	1.5	6	19	11.3
AW27	AW27X	135	130	14	2	14	160	185	1.5	6	19	14.4
AW28	AW28X	140	135	16	2	14	160	192	1.5	8	19	14.2
AW29	AW29X	145	140	16	2	14	171	202	1.5	8	19	16.8
AW30	AW30X	150	145	16	2	14	171	205	1.5	8	19	15.5
AW31	AW31X	155	147.5	16	2.5	16	182	212	1.5	8	19	20.9
AW32	AW32X	160	154	18	2.5	16	182	217	1.5	8	19	22.2
AW33	AW33X	165	157.5	18	2.5	16	193	222	1.5	8	19	24.1
AW34	AW34X	170	164	18	2.5	16	193	232	1.5	8	19	24.7
AW36	AW36X	180	174	20	2.5	18	203	242	1.5	8	19	26.8
AW38	AW38X	190	184	20	2.5	18	214	252	1.5	8	19	27.8
AW40	AW40X	200	194	20	2.5	18	226	262	1.5	8	19	29.3

1) Utiliza as séries de adaptadores H31, H2, H32, H3 e H23.

número do. <sup>1)</sup> furo do adaptador	Referência Código da Porca	eixo
		mm (para o eixo)
—	<b>AN00</b>	10
—	<b>AN01</b>	12
—	<b>AN02</b>	15
—	<b>AN03</b>	17
04	<b>AN04</b>	20
05	<b>AN05</b>	25
06	<b>AN06</b>	30
07	<b>AN07</b>	35
08	<b>AN08</b>	40
09	<b>AN09</b>	45
10	<b>AN10</b>	50
11	<b>AN11</b>	55
12	<b>AN12</b>	60
13	<b>AN13</b>	65
14	<b>AN14</b>	70
15	<b>AN15</b>	75
16	<b>AN16</b>	80
17	<b>AN17</b>	85
18	<b>AN18</b>	90
19	<b>AN19</b>	95
20	<b>AN20</b>	100
21	<b>AN21</b>	105
22	<b>AN22</b>	110
—	<b>AN23</b>	115
24	<b>AN24</b>	120
—	<b>AN25</b>	125
26	<b>AN26</b>	130
—	<b>AN27</b>	135
28	<b>AN28</b>	140
—	<b>AN29</b>	145
30	<b>AN30</b>	150
—	<b>AN31</b>	155
32	<b>AN32</b>	160
—	<b>AN33</b>	165
34	<b>AN34</b>	170
36	<b>AN36</b>	180
38	<b>AN38</b>	190
40	<b>AN40</b>	200

### Dimensão permissível para a arruela Unidades em mm

Diâmetro nominal do furo $d_s$ mm		Tolerância para a distância da lingüeta interna até a superfície do furo $\Delta M$		Tolerância para a largura da lingüeta interna $\Delta l_1$	
acima	inclusive	superior	inferior	superior	inferior
6	50	$\varnothing-3$	0	$\varnothing-2$	$\varnothing-2$
50	80	$\varnothing-3$	0	$\varnothing-5$	$\varnothing-5$
80	120	$\varnothing-5$	0	$\varnothing-7$	$\varnothing-7$
120	200	$\varnothing-5$	0	$\ddagger$	$\ddagger$

A tabela acima se aplica às séries AWL.

Nota: As buchas de desmontagem do tipo com ranhura estreita das séries **H2**, **H3** e **H23** acrescidas com o sufixo "X" utilizam arruelas com lingüetas internas retas (marcadas com "X"); Buchas de desmontagem com ranhura larga sem o sufixo "X" não podem utilizar arruelas com lingüeta reta nem com lingüetas dobradas.